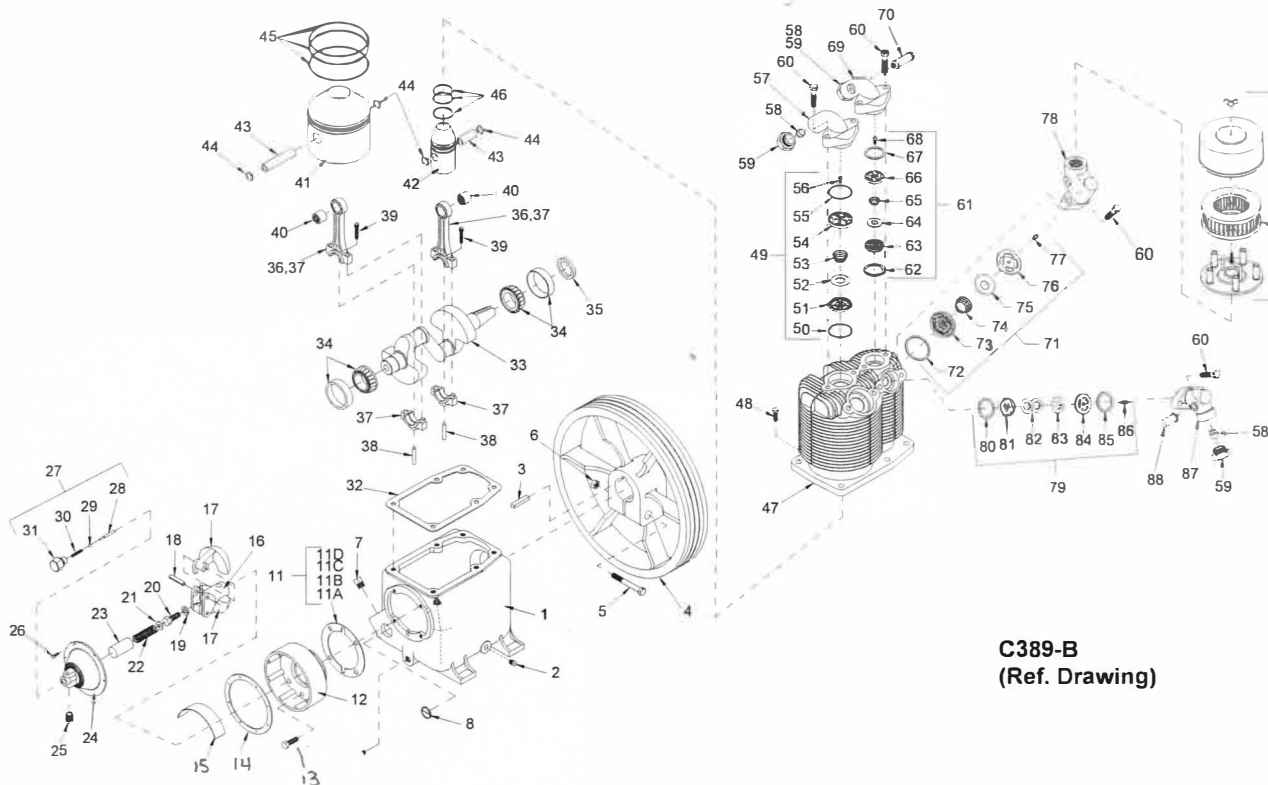


Compressor Repair Parts Illustration

Models: R10D & R15B



C389-B
(Ref. Drawing)

Repair Parts List

Compressor Models R10D & R15B

Ref. No.	Description	Part No.	Qty.
1	Crankcase	M1820	1
2	Pipe plug	M2326	1
3	Key	U8	1
4	Flywheel	NR7A	1
5	Hex head cap screw	M738	1
6	Hex nut	M2955	1
7	Pipe plug	M459	1
8	Oil level gauge	RE714	1
9	Pipe nipple	M492	1
10	Pipe cap	M461	1
11	Governor housing gasket set (includes, 11A, 11B, 11C & 11D)	Z130	1
11A	Governor housing gasket (.032" Thick)	SE1430	1
11B	Governor housing gasket (.005/.007" Thick)	SE1430A	1
11C	Governor housing gasket (.010" Thick)	SE1430B	1
11D	Governor housing gasket (.015" Thick)	SE1430C	1
12	Governor housing	NR80A	1
13	Hex head cap screw	M2343	4
14	Governor housing cover gasket	SE489 SE 1489	1
15	Baffle plate	NR104	1
16	Governor weight spindle	SE583B	2
17	Governor weight	SE582B	2
18	Governor weight pin	SE592A	1

Repair Parts List
Compressor Models R10D & R15B

Ref. No.	Description	Part No.	Qty.
19	Lock washer	M3468	1
20	Hex head cap screw	M2345	1
21	Flat washer	M912A	1
22	Governor spring	SE590	1
23	Spring sleeve	SE587	1
24	Governor housing cover	RE10100A	1
25	Unloader muffler assembly	Z4593	1
26	Hex head machine screw	M3473	6
27	Release valve assembly	Z12414A	1
28	Release valve plunger	SE586B	1
29	Release valve ball	P07841A	1
30	Release valve spring	SE591	1
31	Release valve body	NR101	1
32	Cylinder flange gasket	NR29A	1
33	Crankshaft (Model R10D)	R105	1
33	Crankshaft (Model R15B)	R155	1
34	Main Bearing	ZRN16	2
35	Oil seal	OSN4	1
36	Connecting rod assembly model R10D low pressure (includes items 37 thru 40)	Z750	1
36	Connecting rod assembly model R10D high pressure (includes items 37 thru 40)	Z752	1
36	Connecting rod assembly model R15B (includes items 37 thru 40)	Z752	2
37	Connecting rod (not sold separately)	---	--
38	Oil dipper (Model R10D)	R1025	2
38	Oil dipper (Model R15B)	R1524	2
39	Connecting rod bolt	M1583	4
40	Piston pin bearing	R1037	2
41	Low pressure piston with pin (includes items 43 & 44)	ZR154	1
42	High pressure piston with pin (includes items 43 & 44)	ZP02709C	1
43	Piston pin	R1021	2
44	Piston pin retaining ring	R10102	4
45	Low pressure piston ring set	Z798	1
46	High pressure piston ring set	Z797	1
47	Cylinder	P12237D	1
48	Hex head cap screw	M2345	6
49	Low pressure discharge valve assembly	Z813	1
50	Valve gasket	P04135A	1
51	Discharge valve seat	M2097	1
52	Valve disc	RE1061	1
53	Valve spring	RE1059	1
54	Discharge valve cage	M2099	1
55	Valve gasket	P04135A	1
56	Hex head machine screw	M3220	1
57	Low pressure discharge manifold	RE102E	1
58	Ferrule	SE542	3
59	Compression nut	SE541	3
60	Hex head cap screw	P05005A	8
61	High pressure discharge valve assembly	Z115	1
62	Valve gasket	P04137A	1
63	Discharge valve seat	RE757A	1
64	Valve disc	RE1062	1
65	Valve spring	RE760	1
66	Discharge valve cage	M2100	1
67	Valve gasket	P04136A	1
68	Hex head machine screw	M3220	1
69	High pressure discharge manifold	P12303B	1
70	Pressure relief valve	P09704A	1
*71	Low pressure intake valve assembly	Z812	1

Repair Parts List Compressor Models R10D & R15B

Ref. No.	Description	Part No.	Qty.
72	Valve gasket	P04134A	1
73	Intake valve cage	M2098	1
74	Valve spring	RE1458	1
75	Valve disc	RE1470	1
76	Intake valve seat	RE1471	1
77	Unloader spring	P04544A	1
78	Low pressure intake manifold	P09669C	1
*79	High pressure intake valve assembly	Z11937	1
80	Valve gasket	P09171A	1
81	Intake valve cage	P14224A	1
82	Valve spring	P13866A	2
83	Valve disc	P13865A	1
84	Intake valve seat	P14118B	1
85	Valve gasket	P09170A	1
86	Hex head machine screw	M3220	1
87	High pressure intake manifold	P12302B	1
88	Interstage pressure relief valve	M3685	1
89	Intake filter	P04999A	1
90	Intake filter element	P05050A	1

Complete compressor pump gasket set (items 11,14 & 32)

Z764

Low pressure piston kit (items 41 & 45)

Z9101

1

High pressure piston kit (items 42 & 46)

Z9100

Complete compressor pump ring set (items 45 & 46)

Z799

1

Complete valve set w/gaskets

Z5155

1

Complete valve set gaskets

Z5156

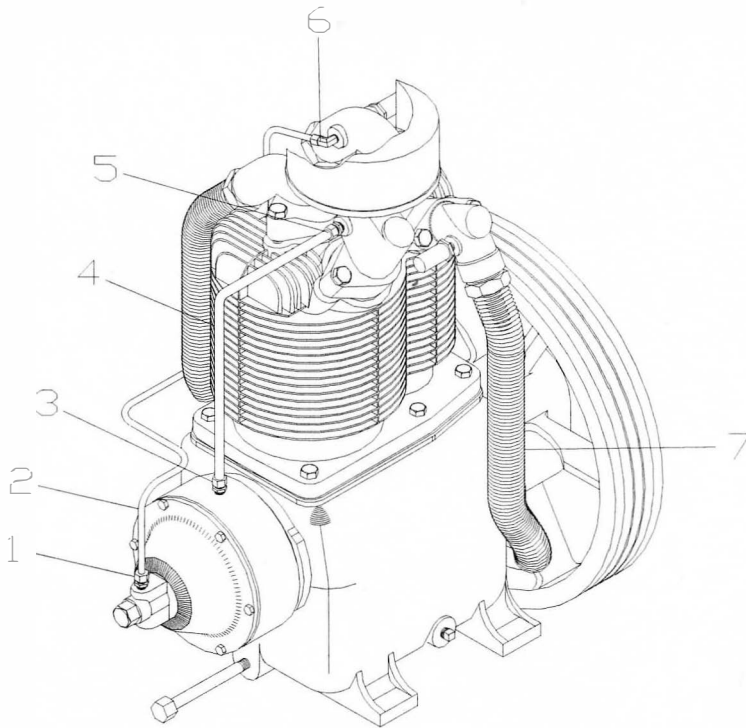
1

- * See page 31 for intake valves for head unloader pumps.
Use Z6795 – Complete Valve Set for head unloader pumps.

Parts available at General Air Compressor Inc. 630-860-1717

Compressor Repair Parts Illustration

Models: R10D & R15B



C420-A
(Ref. Drawing)

ITEM	PART NO.	NAME	REQ.
1	M2868	Compression Fitting	1
2	ZSB250A	Tube, Unloading w/Fittings	1
3	M2864	Compression Fitting	1
4	ZUB375	Breather Tube w/Fittings	1
5	M2864	Compression Fitting	1
6	M2881	Compression Fitting	1
7	Z9140	Intercooler w/Fittings	1

Parts available at General Air Compressor Inc. 630-860-1717